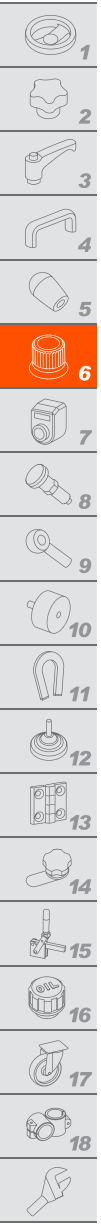


# MBT+I | Diamond cut knurled control knobs

with revolving handle, technopolymer



## MATERIAL

High-resilience polypropylene based (PP) technopolymer, black colour, matte finish.

## COLOURED CENTRE CAP

Technopolymer, matte finish.

To order, add the index of the desired colour (C9, ..., C17) to the code and the description.

On request and for sufficient quantities, it can be supplied in other colours or with customised graphic symbols, marks or writings.

## REVOLVING HANDLE

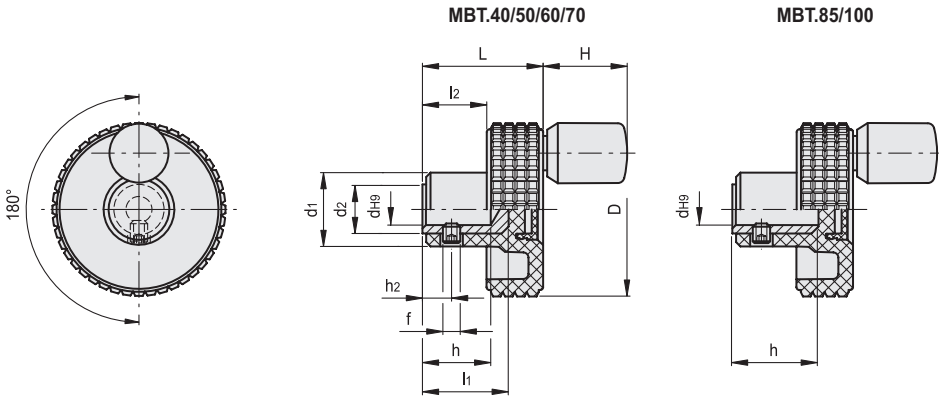
I.701+x (see page 576) in technopolymer.

## STANDARD EXECUTION

Brass boss, plain hole. Assembly by means of a supplied transversal grub screw UNI 5929-85 (grub screw with hexagon socket and cup end).



ELESA Original design



\* Complete with colour index, example: 34398-C2 MBT.40+I B-6-C2

C9 RAL9005  
 C2 RAL2004  
 C3 RAL7035  
 C4 RAL1021  
 C5 RAL5024  
 C6 RAL3000  
 C17 RAL6017

Control elements

616

Code	Description	D	dh9	L	l1	l2	d1	d2	h	h2	f	H	
34398-*	MBT.40+I B-6-*	39.5	6	26.5	17	12.5	17	12	14	4	M4	20	34
34498-*	MBT.50+I B-6-*	50	6	33	23	16	20	15	18	5	M5	20	54
34598-*	MBT.60+I B-8-*	61	8	39	25	18.5	23	15	20	6	M5	23	65
34698-*	MBT.70+I B-10-*	70	10	42	30	20.5	24	16	25	6	M5	23	73
34798-*	MBT.85+I B-10-*	85	10	30.5	-	10.5	29	16	22	6	M5	23	84
34898-*	MBT.100+I B-10-*	100	10	31	-	11	35	16	22	6	M5	23	102