

4

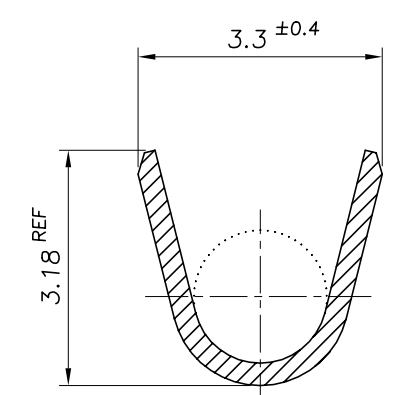
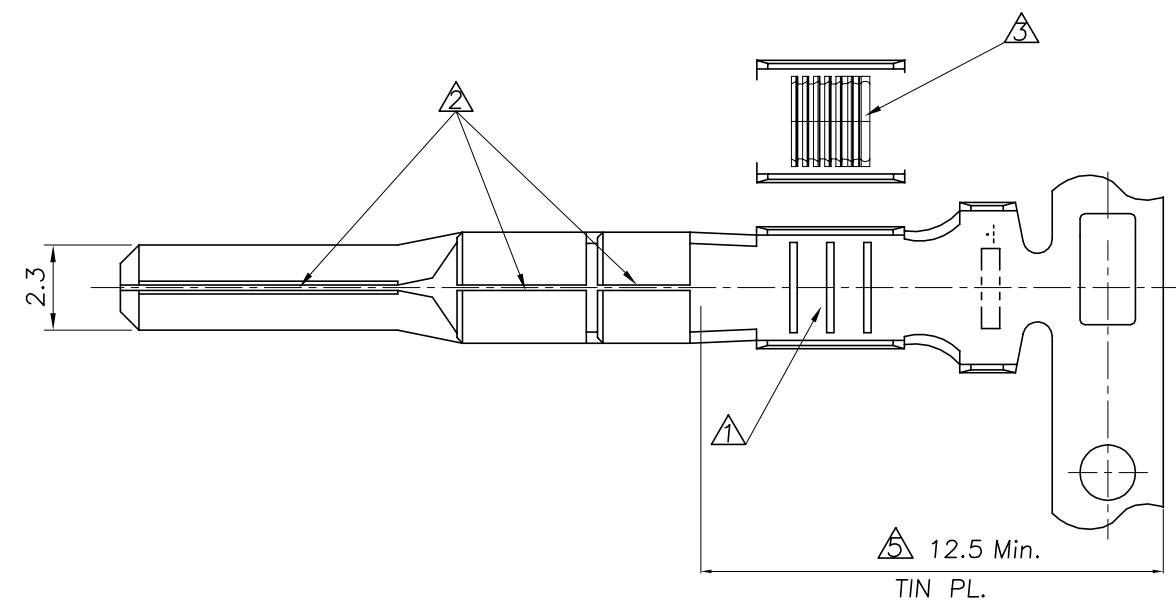
3

2

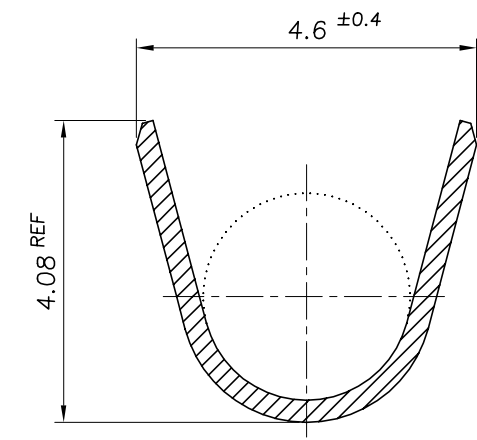
1

THIS DRAWING IS UNPUBLISHED. RELEASED FOR PUBLICATION  
© COPYRIGHT BY TYCO ELECTRONICS CORPORATION. ALL RIGHTS RESERVED.

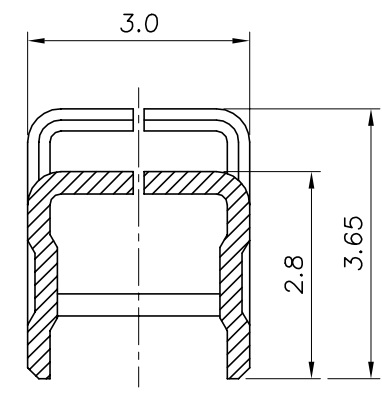
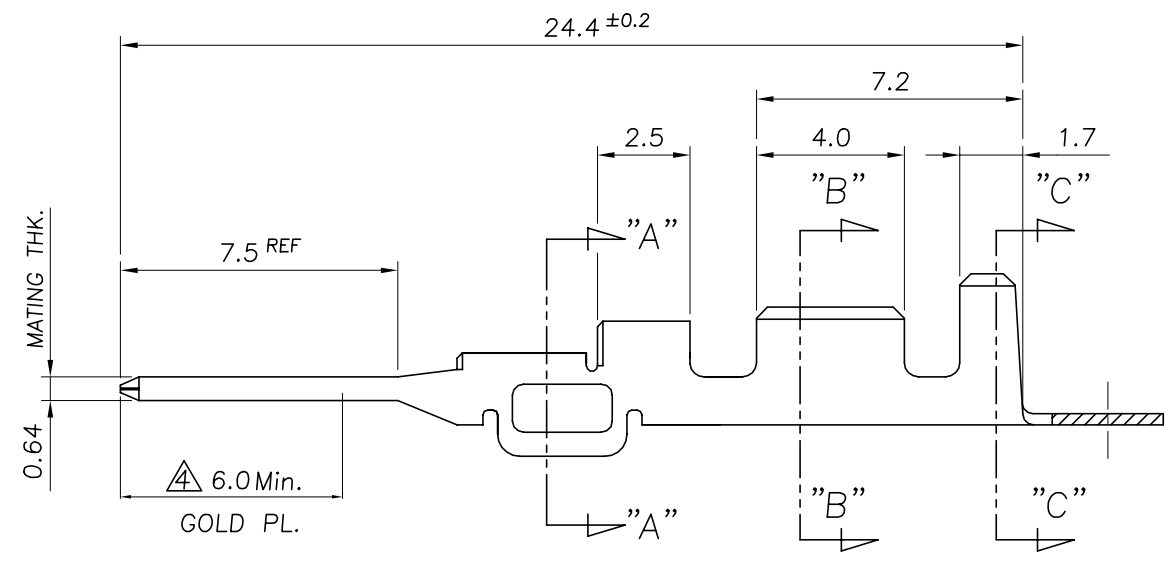
LOC	DIST	REVISIONS					
		P	LTR	DESCRIPTION	DATE	DWN	APVD
DS	-		C	REVISED (ECR-23-163501)	13/JAN/23	JW	KT



SECTION "B-B"  
SCALE=10/1



SECTION "C-C"  
SCALE=10/1




SECTION "A-A"  
SCALE=10/1

- NOTES
- ▲ THREE SERRATION CENTERED IN WIRE BARREL
  - ▲ 0.15 MAX GAP PERMISSIBLE
  - ▲ SEVEN SERRATION CENTERED IN WIRE BARREL

▲	ALUMINUM 0.75 SQ	PRE-TINNED	BRASS STRIP 0.3THK	9-368087-1
▲	0.85~1.25 SQ	▲▲ SELECTIVE GOLD/TIN	BRASS STRIP 0.3THK	1-368087-1
▲	0.85~1.25 SQ	PRE-TINNED	BRASS STRIP 0.3THK	368087-1
	WIRE RANGE	FINISH	MATERIAL	PART NUMBER

THIS DRAWING IS A CONTROLLED DOCUMENT FOR TYCO ELECTRONICS CORPORATION IT IS SUBJECT TO CHANGE AND THE CONTROLLING ENGINEERING ORGANIZATION SHOULD BE CONTACTED FOR THE LATEST REVISION.

DIMENSIONS: MM	TOLERANCES UNLESS OTHERWISE SPECIFIED: 0 < XX<10 ± 0.2 10 ≤ XX < 30 ± 0.25 ANGLES ± 3°	DWN KT JUNG CHK KT JUNG APVD KT LIM PRODUCT SPEC 108-61021 APPLICATION SPEC 114-61004	 TE Connectivity NAME .090II MLC TAB CONTACT	
MATERIAL SEE TABLE	FINISH SEE TABLE	WEIGHT A3 00779 C=368087	SIZE A3	CAGE CODE 00779
CUSTOMER DRAWING		DRAWING NO C=368087	RESTRICTED TO -	
		SCALE 5/1	SHEET 1 OF 1	REV C