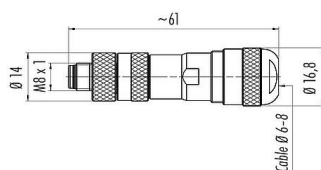


Product description	<b>M8 Male cable connector, Contacts: 4, 6.0-8.0 mm, shieldable, screw clamp, IP67, UL 2238</b>
Area	<b>M8</b>
Coding	<b>A-coded</b>
Series	<b>Serie 768</b>
Part no.	<b>99 3363 300 04</b>

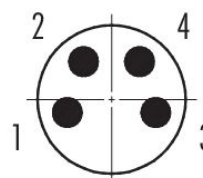
## Illustration



## Scale drawing



## Contact arrangement (Plug-in side)



You can find the assembly instructions on the next page.

## Technical data

### General features

Part no.	<b>99 3363 300 04</b>
Connector design	Male cable connector
Type standard	DIN EN 61076-2-104
Coding	A-coded
Version	Connector pin straight
Connector locking system	screw
Termination	screw clamp
Degree of protection	IP67
Connection cross-section	0.14-0.50 mm <sup>2</sup> / AWG 26-20
Cable outlet	6.0-8.0 mm
Temperature range from/to	-40 °C / 85 °C
Mechanical operation	> 100 Mating cycles
Weight (g)	31.65
Customs tariff number	85369010
Country of Origin	DE

### Electrical parameters

Rated voltage	60 V (UL 30 V)
Rated impulse voltage	1500 V
Rated current	4.0 A
Pollution degree	3
Overvoltage category	III
Insulating material group	II

Product description	<b>M8 Male cable connector, Contacts: 4, 6.0-8.0 mm, shieldable, screw clamp, IP67, UL 2238</b>
Area	<b>M8</b>
Coding	<b>A-coded</b>
Series	<b>Serie 768</b>
Part no.	<b>99 3363 300 04</b>

EMC compliance	shieldable
Shield connection	Shielding ring

### Material

Housing material	CuZn (Brass nickel plated)
Contact body material	PA66 (UL94 HB)
Contact material	CuZn (brass)
Contact plating	Au (gold)
Locking material	CuZn (brass)
REACH SVHC	CAS 7439-92-1 (Lead)
SCIP number	cc111e2f-c3a1-4f88-b3af-0f6604057c3c

### Authorization/approvals

Approvals	UL 2238
Norms and regulations	DIN EN 61373 DIN EN 45545-2 (unclassified flammable mass <10g)

### Classifications

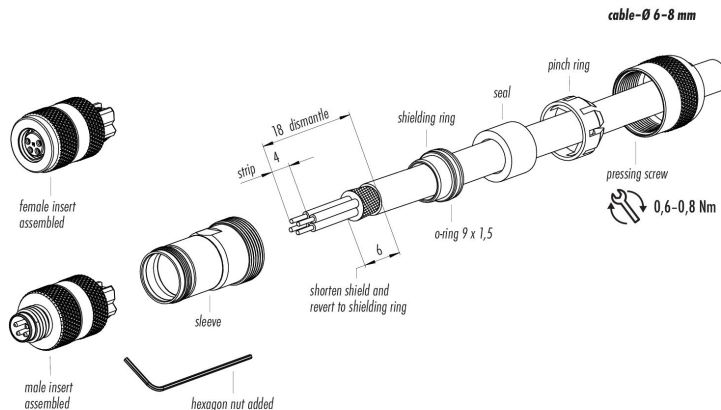
eCl@ss 11.1	27-44-01-02
ETIM 9.0	EC002635

### Declarations of conformity

Low Voltage Directive	2014/35/EU (EN 60529:1991   2014/35/EU;EN 60204-1:2018)
-----------------------	---

### Assembly instructions

1. Bead pressing screw, pinch ring, seal and shielding ring to cable.
2. Dismantle cable.
3. Strip single wires, shorten shield and revert to shielding ring.
4. Thread single wires through sleeve, mount shielding ring, seal and pinch ring. Slightly tighten pressing screw to fix the cable.
5. Screw on single wires.
6. Screw sleeve to male/female insert.
7. Tighten pressing screw.



Product description	<b>M8 Male cable connector, Contacts: 4, 6.0-8.0 mm, shieldable, screw clamp, IP67, UL 2238</b>
Area	<b>M8</b>
Coding	<b>A-coded</b>
Series	<b>Serie 768</b>
Part no.	<b>99 3363 300 04</b>

## Security notices

The connector must not be plugged or unplugged under load. Non-observance and improper use can result in personal injury.

The connectors have been developed for applications in plant engineering, control and electrical equipment construction. The user is responsible for checking whether the connectors can also be used in other areas of application.

To protect against unintentional opening of the connector, the thread between the housing and the connector head must be secured with a suitable cyanoacrylate adhesive when used in circuits with voltages dangerous to the touch. This does not apply to connectors used in SELV and PELV circuits according to IEC 61140 (EN 61140, VDE 0140-1).

Connectors which are used in circuits with voltages dangerous to the touch may only be installed and used by, or under the supervision of, persons with electrical engineering training, taking into account the applicable regulations and standards.

The user must take suitable safety precautions to ensure that the connector cannot be accidentally disconnected.

Plug connectors with enclosure protection IP67 and IP68 are not suitable for use under water. When used outdoors, the plug connectors must be protected separately against corrosion. For further information on the IP protection classes, please refer to the "Technical Information" download centre.

Please observe the pollution degree and the overvoltage category. For further information, please refer to the download center "Technical Information".

To lock the cable connector with the device connector, the threaded ring is tightened "hand-tight" (approx. 50 cNm).